

telguard®



Junior

The TelGuard Junior is suited to multi user sites where the use of a display is not required. The backlit keypad enables 1, 2, 3 and 4 digit calling along with 4 digit coded entry. There is also a trades facility by way of the # key on the keypad or via a 4 digit code.

For installation, all that the Junior requires is a direct dedicated analogue phone line or analogue extension of a telephone system, a mains power source for the low volt supply and a multi core connection to the control equipment.

The Junior has a backlit keypad and the panel will call up to 1000 telephone numbers with four digit coded entry as standard.

Where there is a requirement for video entry, a camera may be mounted in the call panel and the picture is either modulated onto a TV aerial for viewing on a normal television or directly linked to a monitor. Proximity may also be panel mounted. These items operate independently to the TelGuard unit.

Basic System Operation

A visitor presses the required number on the panel by using the keypad, followed by 'CALL'. A phone call is then made to the destination. On answering the call on the telephone two way speech may take

place. After confirming the identity of the visitor, the '#' key is pressed on the telephone and a tone will be heard to indicate operation of the command to open the door/gate/barrier. If any of the other 4 relays require activation, the user presses a digit first followed by '#' eg '2#'. TelGuard is able to be operated by a DECT (Digital Enhanced Cordless Telecommunications) or mobile phone making communication with the entrance possible even when out of the property.

Standard Features

- Backlit keypad (green backlight)
- Four digit coded entry
- Button activation tone
- Five relays
- Relay activation tone
- 1000 number call ability
- Secondary number search facility*
- Full duplex speech
- Slave unit facility
- 316 marine grade stainless steel fascia
- Trade facility
- Concierge divert

** Reliant on detecting local exchange settings.
Not compatible with PBX systems.*

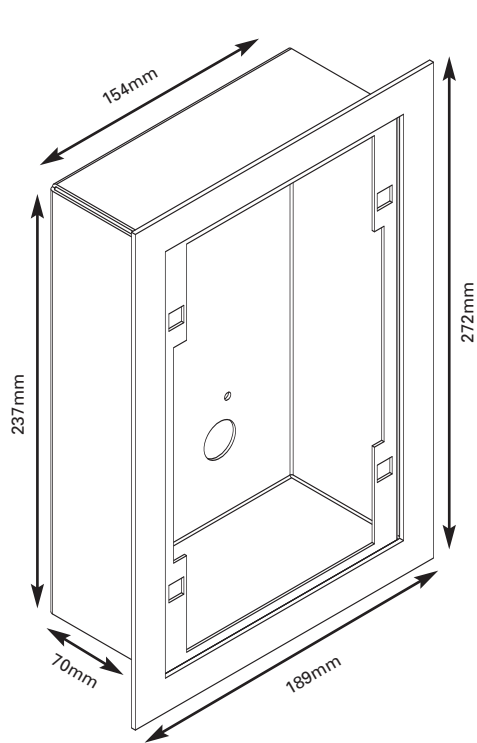
*** Use of this facility removes operation of other relays.*

Optional Features

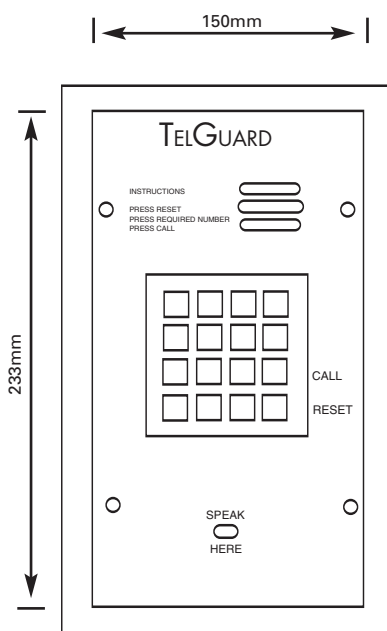
- Acoustic call progress indication 'ENTRANCE CALLING', 'ENTER'
- Door panel call alert to destination on receipt of call 'ENTRANCE CALLING'
- Monochrome or colour camera
- Panel mounted proximity reader
- Backlit keypad (blue backlight)
- Wheelchair user assistance button
- Concierge button
- Brass/Powder coated finish

GSM VERSION
NOW AVAILABLE

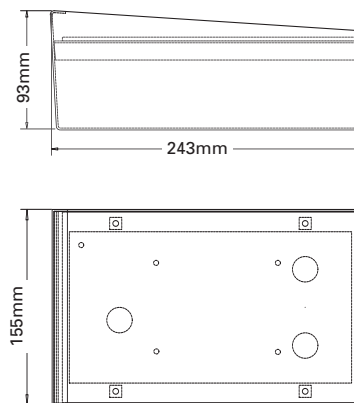
TelGuard Junior



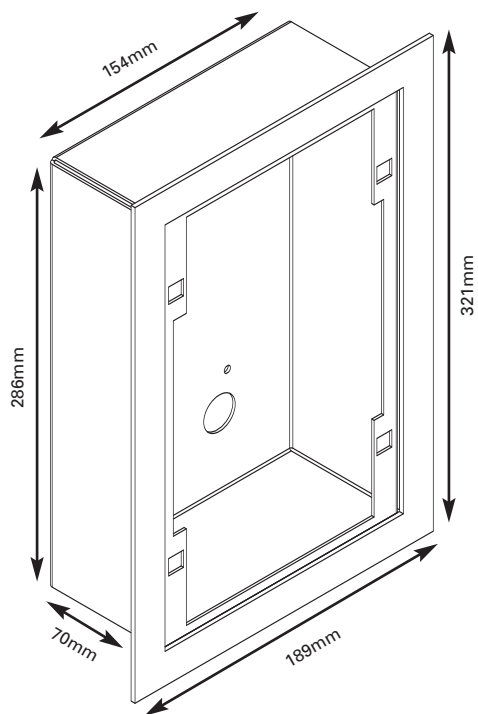
Flush back box



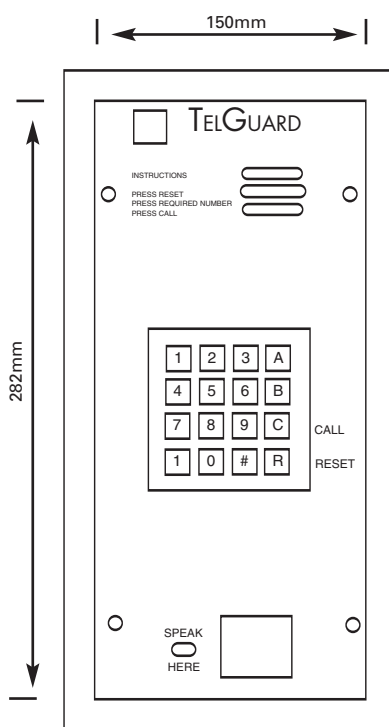
Junior audio only



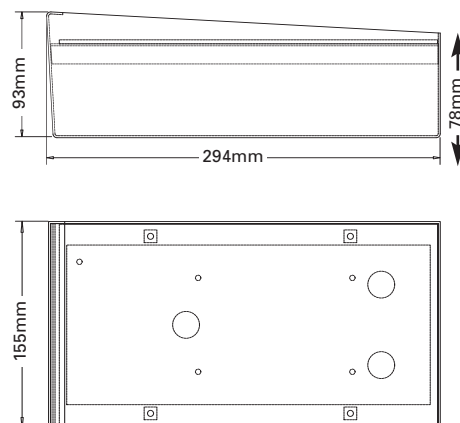
Surface back box



Flush back box



Junior with camera and proximity



Surface back box

Specification

- Power supply: 12v 1A DC (supplied with system)
- Power consumption: 400 mA @12v
- Telephone connection: standard analogue 'BT' type telephone socket or analogue extension from a PABX
- Telephone type: standard tone generating telephone, DECT or mobile. All telephones must have a '#' key and be able to tone dial from all keys on an incoming call
- Secondary number search facility: activated on engaged tone or if call is not answered within a preset number of rings.*
- Programming: actioned remotely from TelGuard offices by trained staff.
- Operating relays: five – pulsing/latching n/o n/c
- Operating commands:
 - Relay 1 = # or single digit 0 – 9**
 - Relay 2/3/4/5 = 1 – 4 digits then #
- Call number sequence: 1 – 4 digits
- Relay contact ratings:
 - Relay 1 – 2.5A @12/24v ac/dc
 - Relay 2,3,4,5 -100mA @12/24v ac/dc
 - Clean contacts
- Relay activation time: 1 – 9 seconds